

REPAIR GUIDELINES FOR MISSING TEES IN GREASE AND SAND/OIL INTERCEPTORS

APPROVED REPAIRS

All repairs to Tees in Grease and Sand/Oil Interceptors must be performed by a plumber who possesses a valid State of Nevada Plumbing Contractor's License. Said license shall be for the purposes of conducting, carrying on, or engaging in the business of plumbing as described in Section 102.4.2 of the amended **2006 Uniform Plumbing Code (UPC)**.

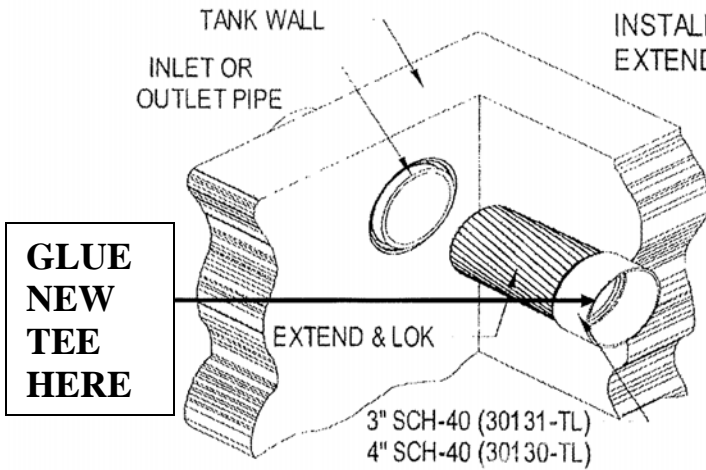
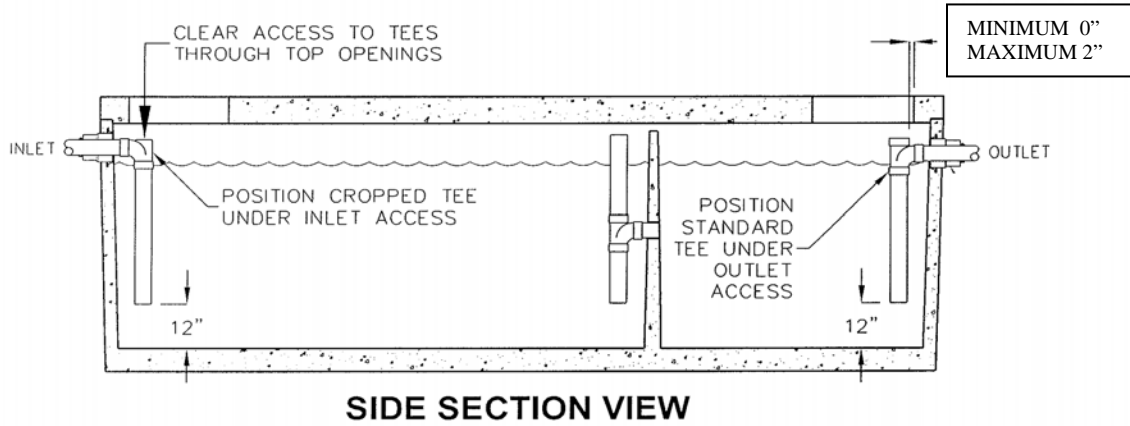
Solvent Joint The coupling in the tank and the horizontal pipe from the Tee “shall be cleaned and joined with listed primer(s) and solvent cement(s)” per Section 316.1.6 of the **UPC**. It should be recognized that if all of the grease/oil is not completely removed from the mating surfaces of the pipes/fittings prior to the application of the glue, the repair will fail.

Polylok Knock in System This is a listed fitting, suggested by Jensen Precast, as a permanent repair for missing Tees. A major advantage of this type of repair, when used with a new Tee, is that no cleaning of any fitting is required. This fitting also has a deeper shoulder length than the coupling in the tank and provides more surface area in the joint for the glue. See top diagram on Page 2 (back side).

Other Repair Alternatives which can be utilized are discussed under the guidance of Section 301.2 (Alternate Materials and Methods of Construction Equivalency) of the **UPC**.

Note: All repairs must conform to Section 310.0 (Workmanship), Section 310.4 (Installation Practices) and Section 311.0 (Prohibited Fittings and Practices) of the **UPC**. Duct tape, plumber's tape, etc., is not allowed under these sections.

Suggestion. Shorten the length of a Tee. A Tee which sticks out into the middle of the manhole provides a longer lever arm, thus making it easier to be either knocked off again or to fall off from the weight of accumulated grease. Make the length of the Tee only long enough so that it can be observed from above when looking down into the tank. See bottom diagram on Page 2 (back side)



**INSTALLATION INSTRUCTIONS FOR POLYLOK'S
EXTEND & LOK FOR ALL 3" & 4" PIPE APPLICATIONS**

- 1 - INSERT SMALL END OF EXTEND & LOK INSIDE OF INLET OR OUTLET PIPE
- 2 - USING HAMMER AND BLOCK OF WOOD OR RUBBER MALLET, DRIVE IN EXTEND & LOK UNTIL IT IS SECURED IN PIPE
- 3 - GLUE ANY POLYLOK HOUSING OR SCH-40 FITTINGS ON EXTEND & LOK AS NEEDED

POLYLOKTM Inc
1-877-765-9565

